

EXON TOWER MIXER



WELS: 5 Star 6L/min
WELS Reg No: T34895
Pressure Rating: Min 150KPa - Max 500KPa
Temperature Rating: Min 1°C - Max 75°C



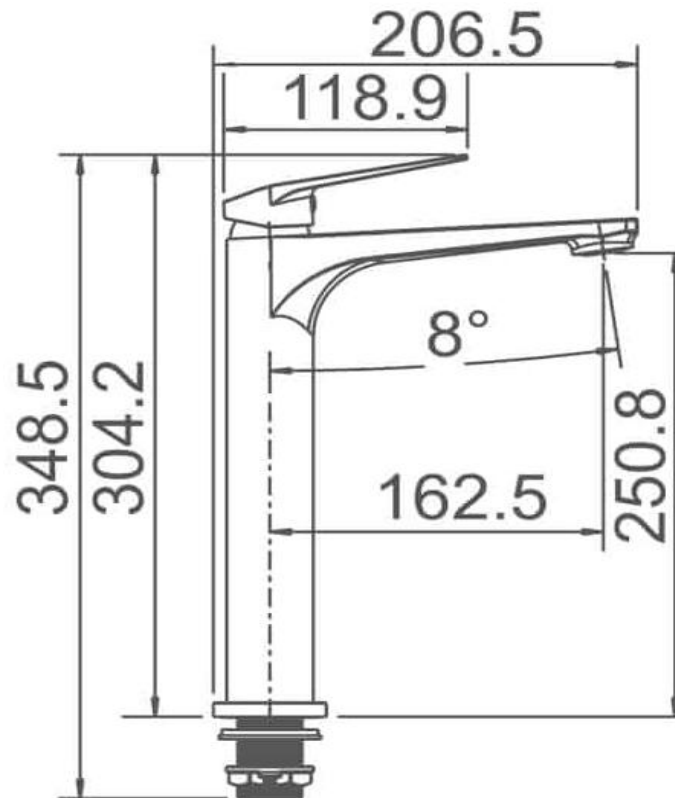
Chrome
WT 1102A

Brushed Nickel
WT 1102ABN

Gun Metal
WT 1102GM

Matt Black
WT 1102AK

SPECIFICATIONS



CLEANING & MAINTENANCE:

Tapware should be cleaned with mild detergent and water
All Products must be cleaned with a soft cloth with soapy water, avoid waxes, solvents, abrasives, acids and other chemical based cleaners
Warranty will be void if damages are caused by unsuitable cleaning products

WARRANTY INFORMATION:

25 years cartridge and structure
5 years PVD finishes (purchased after 01/01/2026)
1 year non-PVD finishes
1 year parts & labour
Note: Hoses, slides, wall fixings, brackets: **1 year**

ZENMO
Zen-inspired, Modern Living

ADDRESS: 42 Castro Way, Derrimut VIC 3026
PHONE: (03) 8390 6300
OFFICE: ect_sales@outlook.com
SERVICE: ect_service@outlook.com
WEBSITE: www.zenmo.com.au